



15759 Tapia St.
Irwindale, CA 91706

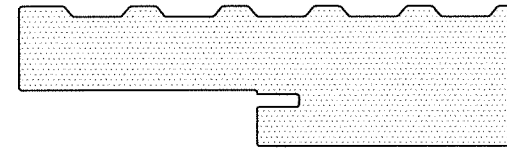
Sure Jamb

COMPOSITE DOOR JAMB INSWING / OUTSWING "IMPACT"

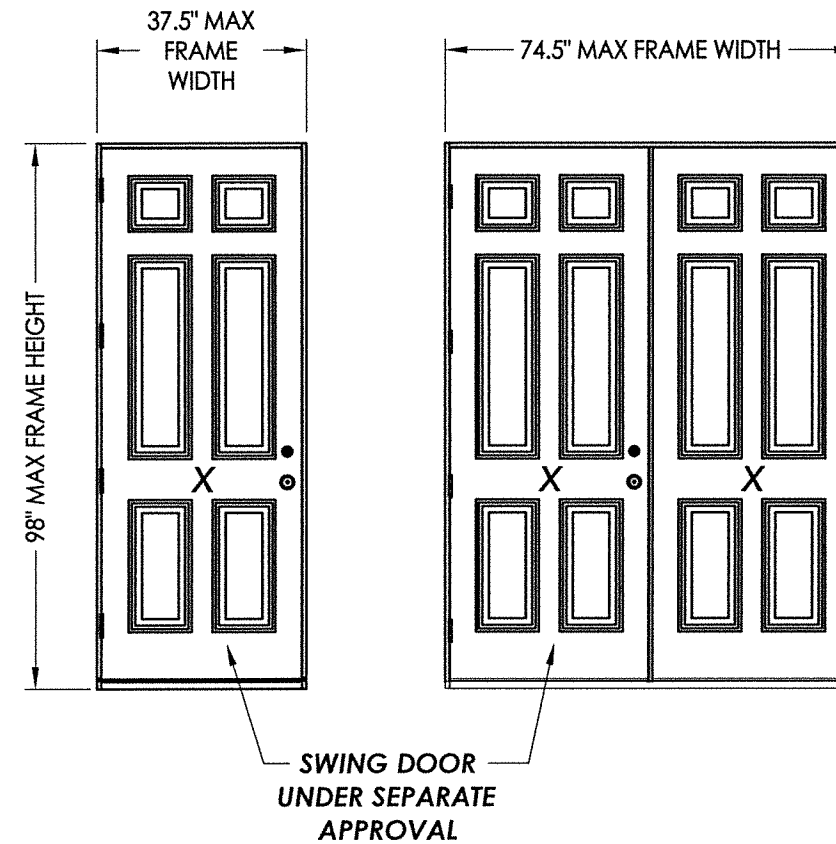
GENERAL NOTES

1. This product has been evaluated and is in compliance with the 6th Edition (2017) Florida Building Code (FBC) structural requirements including the "High Velocity Hurricane Zone" (HVHZ).
2. Product anchors shall be as listed and spaced as shown on details. Anchor embedment to base material shall be beyond wall dressing or stucco.
3. When used in the "HVHZ", this product complies with Section 1626 of the FBC and does not require an impact resistant covering.
4. This "IMPACT" door jamb, as a component, is to be used as a substitute to a similar door jamb in an impact approval (complies with Section 1626 of the FBC) door system possessing a current Florida Statewide Product Approval (Including the "HVHZ").
5. The design pressure of the assembly shall be the lesser of the design pressure for the door jamb shown in this approval or the design pressure of the door assembly used in conjunction with this approval.
6. The maximum frame size of the door assembly shall be lesser of the maximum frame size stated in this approval or the maximum frame size of door assembly approval used in conjunction with this approval.
7. Refer to the separate Florida Product Approval for the swing door used in conjunction with this component approval to determine the ability of the system to meet the water infiltration requirements for the "HVHZ".
8. Air and water infiltration qualifications to be reviewed by the Building Official.
9. Site conditions that deviate from the details of this drawing require further engineering analysis by a licensed engineer or registered architect.

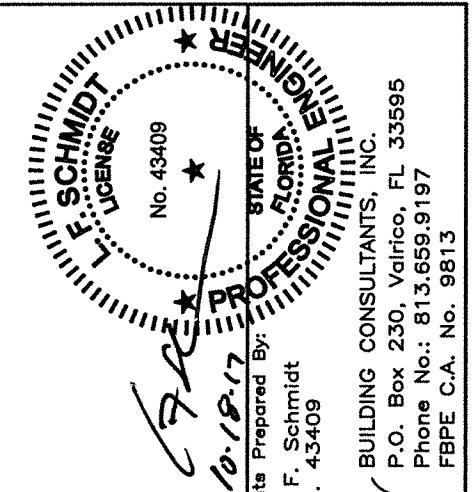
TABLE OF CONTENTS	
SHEET #	DESCRIPTION
1	Typical elevations, design pressures & general notes
2	Elevations
3	Horizontal cross sections
4	Vertical cross sections
5	Buck and frame anchoring
6	Buck and frame anchoring
7	Bill of materials and components



Sure Jamb



CONFIGURATION	MAX. FRAME DIMENSION	DESIGN PRESSURE (PSF) INSWING		DESIGN PRESSURE (PSF) OUTSWING	
		POSITIVE	NEGATIVE	POSITIVE	NEGATIVE
X	37.5" x 98.0"	+70.0	-70.0	+70.0	-70.0
XX	74.5" x 98.0"	+45.0	-50.0	+50.0	-50.0



Documents Prepared By:
Lyndon F. Schmidt
P.E. No. 43409

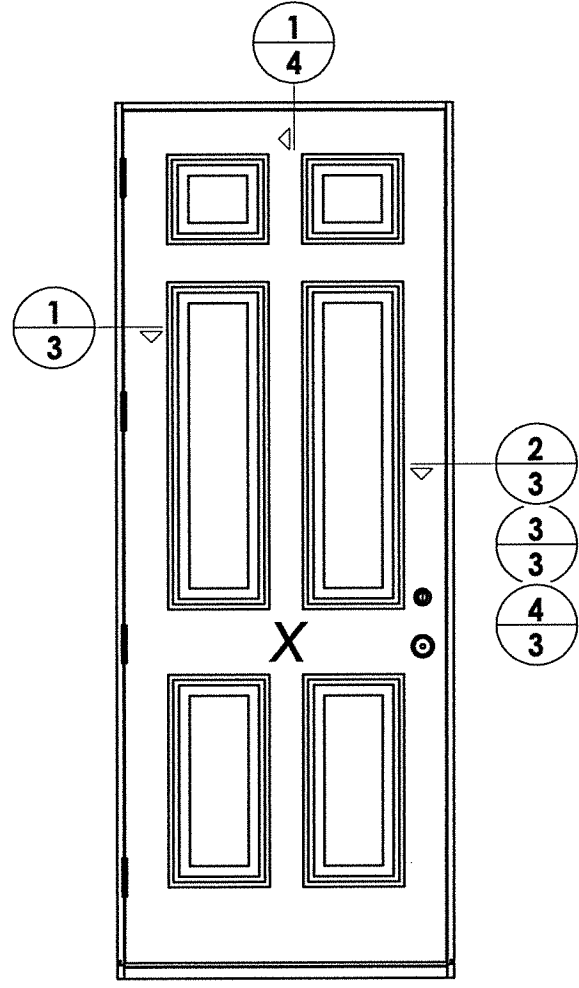
R.W.
BUILDING CONSULTANTS, INC.
P.O. Box 230, Vairico, FL 33595
Phone No.: 813.659.9197
FBPE C.A. No. 9813

PRODUCT: HM SURE ROCK

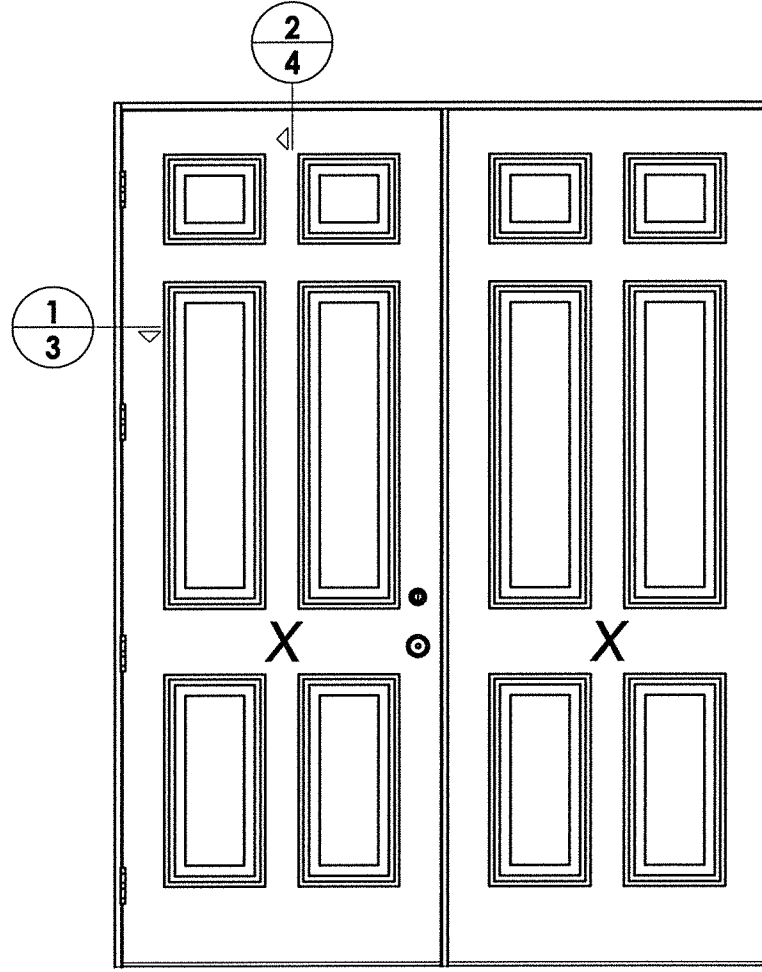
PART OR ASSEMBLY:
TYPICAL ELEVATION, DESIGN PRESSURES & GENERAL NOTES

NO.	DATE	BY	REVISIONS

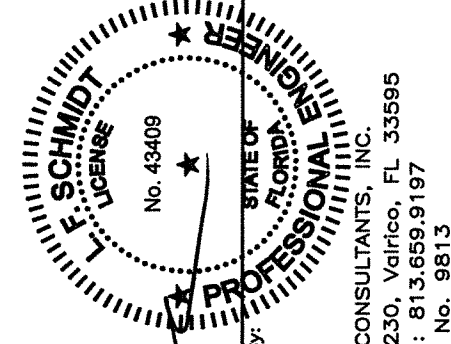
DATE: 10/18/17
SCALE: N.T.S.
DWG. BY: JK
CHK. BY: LFS
DRAWING NO.: FL-18385.2
SHEET 1 OF 7



SINGLE DOOR ELEVATION



DOUBLE DOOR ELEVATION



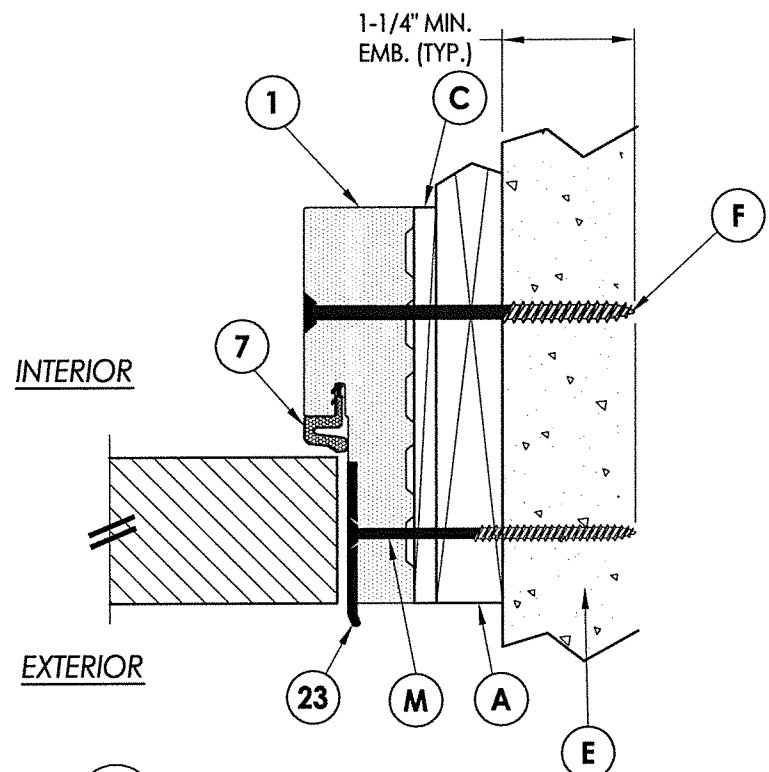
Documents Prepared By:
Lyndon F. Schmidt
P.E. No. 43409

RW BUILDING CONSULTANTS, INC.
P.O. Box 230, Vairico, FL 33595
Phone No.: 813.659.9197
FBPE C.A. No. 9813

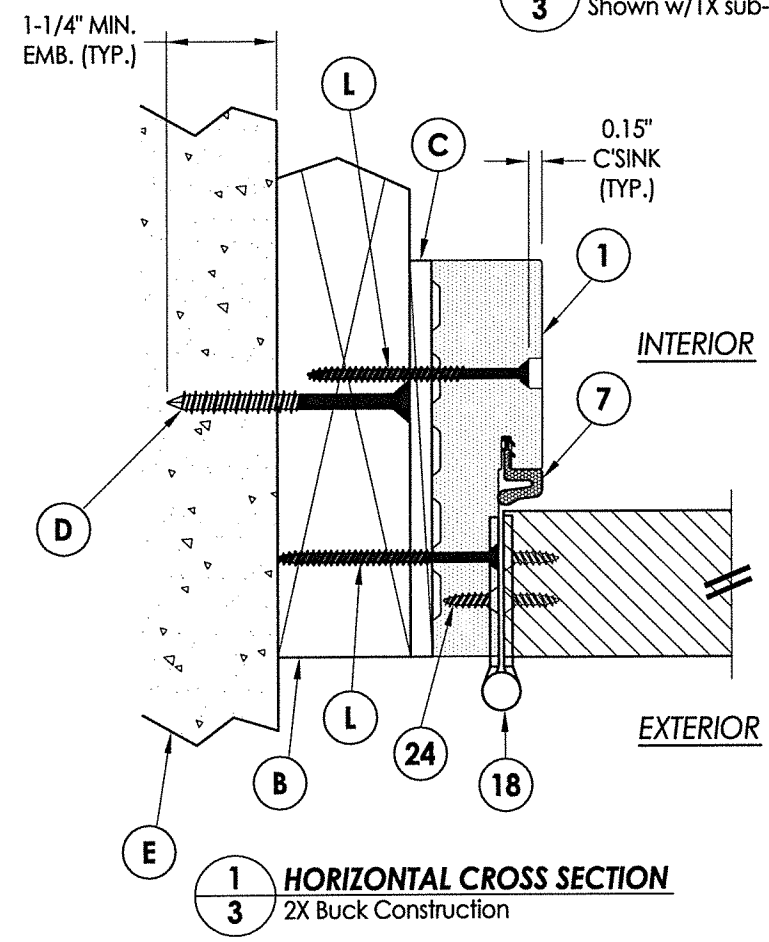
PRODUCT: HM SURE ROCK COMPONENTS
PART OR ASSEMBLY: ELEVATIONS

NO.	DATE	BY	REVISIONS

DATE: 10/18/17
SCALE: N.T.S.
DWG. BY: JK
CHK. BY: LFS
DRAWING NO.: FL-18385.2
SHEET 2 OF 7

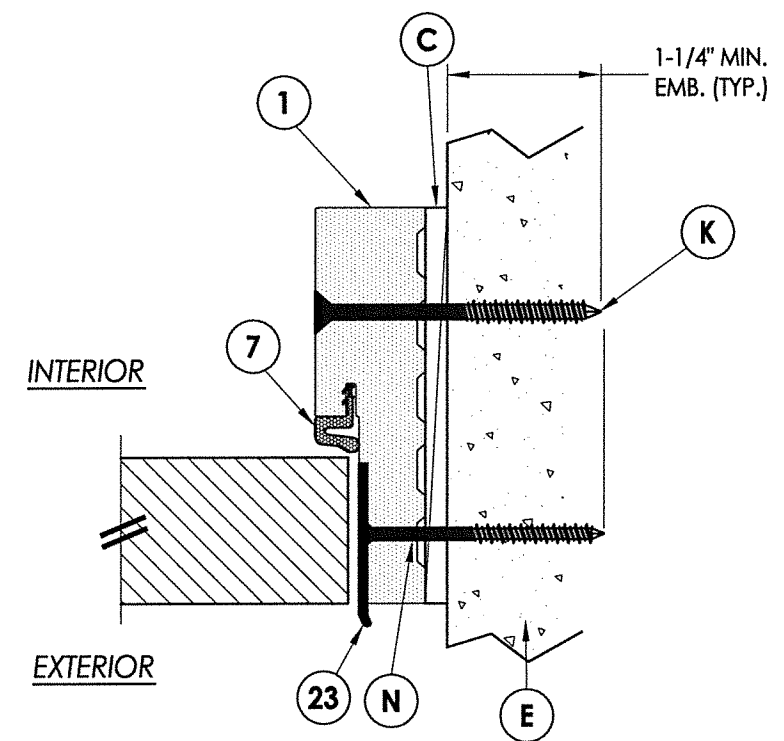


2 HORIZONTAL CROSS SECTION
3 Shown w/1X sub-buck

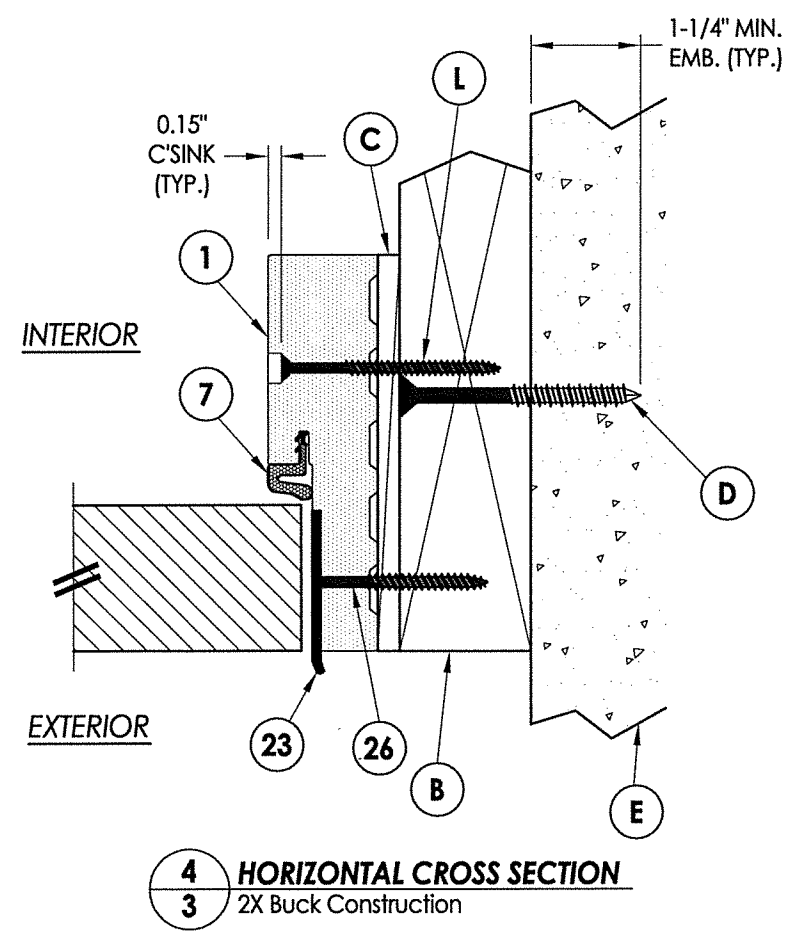


1 HORIZONTAL CROSS SECTION
3 2X Buck Construction

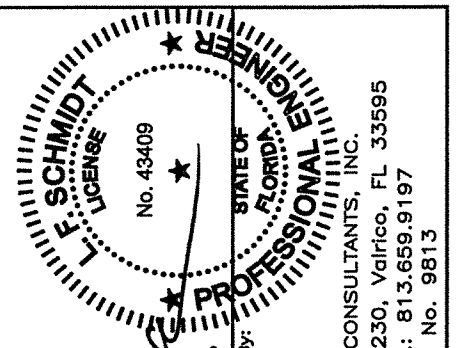
Note:
 See separate side-hinged door Product Approval for door construction details not shown, including lock hardware, astragal, hinge and threshold connections.



3 HORIZONTAL CROSS SECTION
3 Shown Direct to masonry



4 HORIZONTAL CROSS SECTION
3 2X Buck Construction

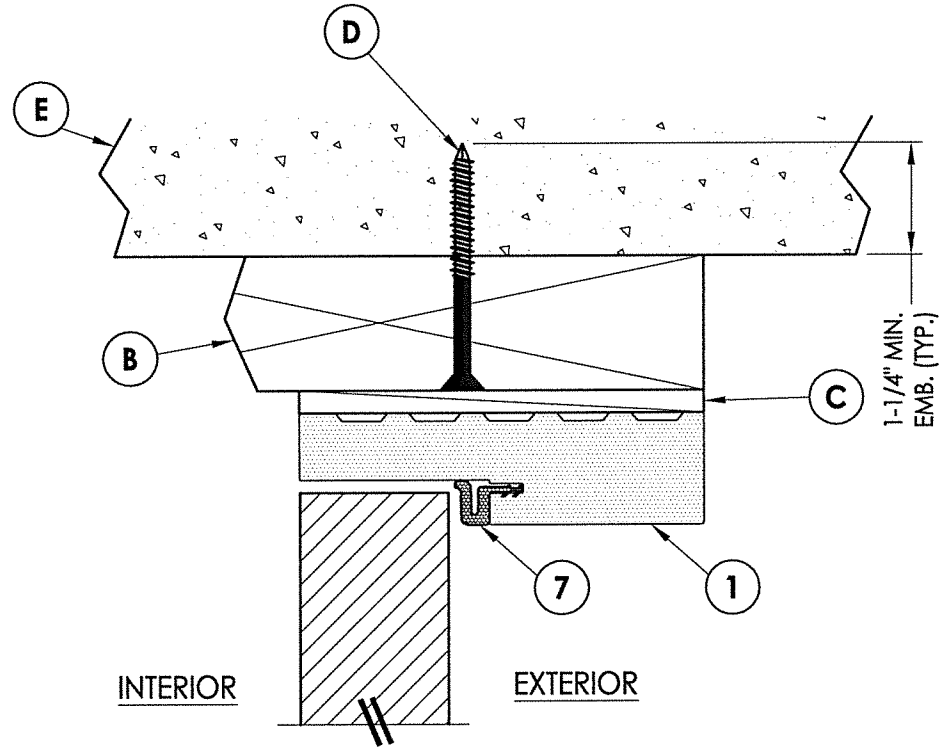


Documents Prepared By:
 Lyndon F. Schmidt
 P.E. No. 43409
 RW BUILDING CONSULTANTS, INC.
 P.O. Box 230, Valrico, FL 33595
 Phone No.: 813.659.9197
 FBPE C.A. No. 9813

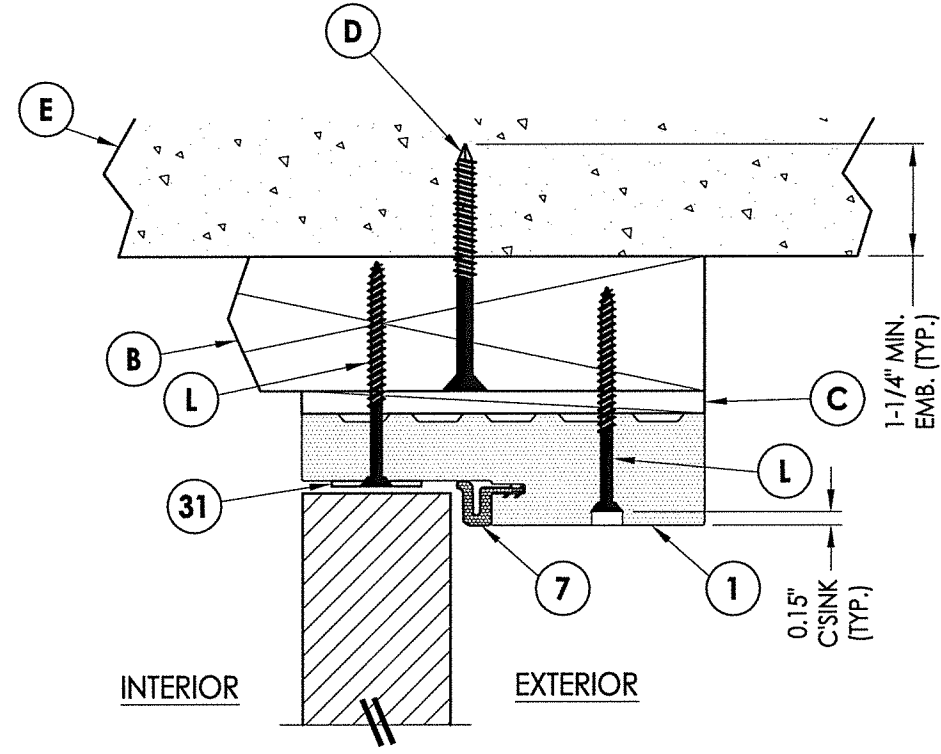
PRODUCT: HM SURE ROCK COMPONENTS
 PART OR ASSEMBLY: HORIZONTAL CROSS SECTIONS

REVISIONS	
NO.	DATE

DATE: 10/18/17
 SCALE: N.T.S.
 DWG. BY: JK
 CHK. BY: LFS
 DRAWING NO.: FL-18385.2
 SHEET 3 OF 7

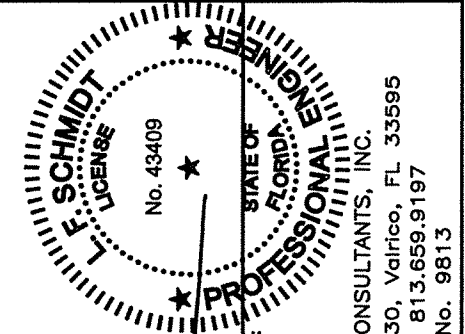


1 VERTICAL CROSS SECTION
4 2X Buck Construction- Single door



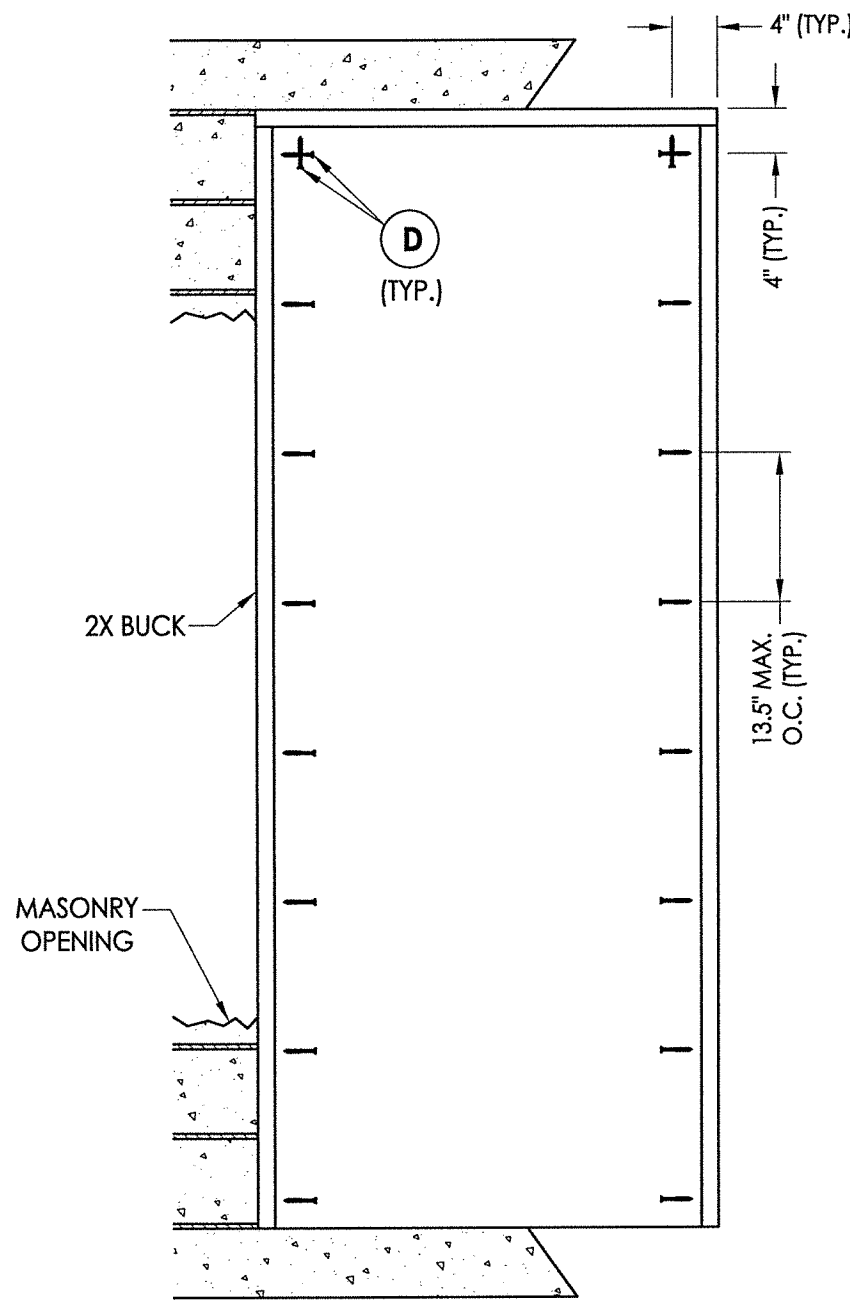
2 VERTICAL CROSS SECTION
4 2X Buck Construction- Double door

Note:
See separate side-hinged door Product Approval for door construction details not shown, including lock hardware, astragal, hinge and threshold connections.

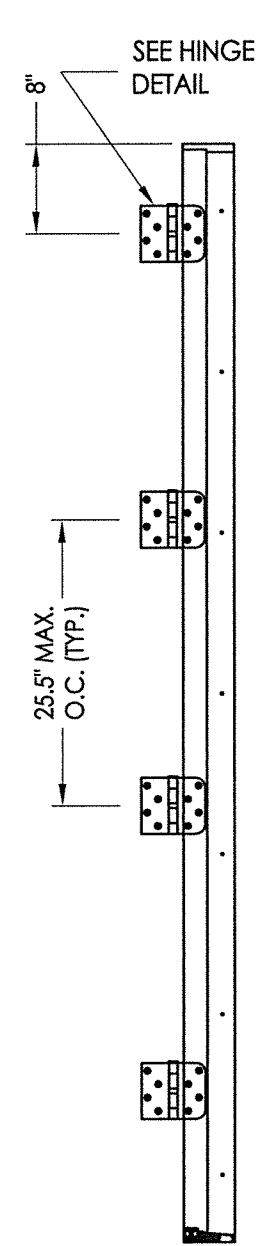


10.18.17
Documents Prepared By:
Lyndon F. Schmidt
P.E. No. 43409
RW BUILDING CONSULTANTS, INC.
P.O. Box 230, Valrico, FL 33595
Phone No.: 813.659.9197
FBPE C.A. No. 9813

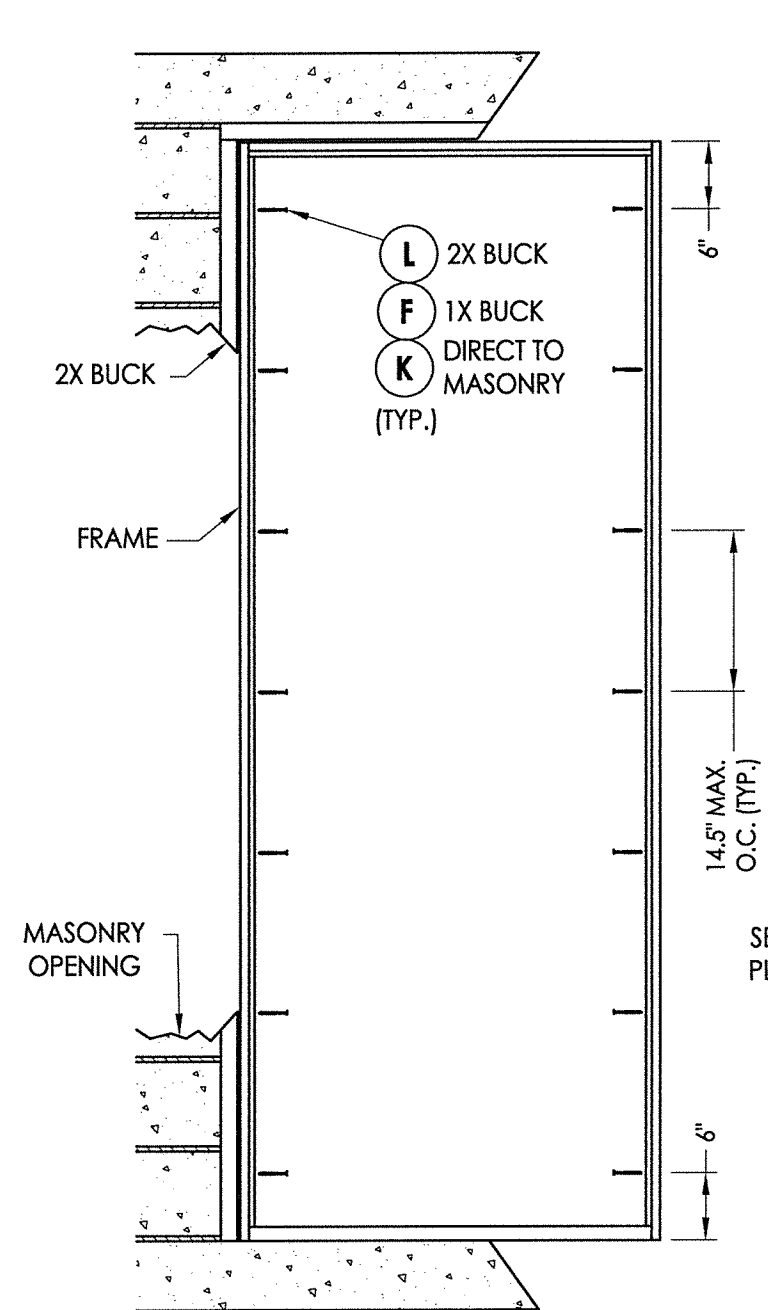
PRODUCT: HM SURE ROCK COMPONENTS	
PART OR ASSEMBLY: VERTICAL CROSS SECTIONS	
REVISIONS	
NO.	DATE
BY	
DATE: 10/18/17	
SCALE: N.T.S.	
DWG. BY: JK	
CHK. BY: LFS	
DRAWING NO.: FL-18385.2	
SHEET 4 OF 7	



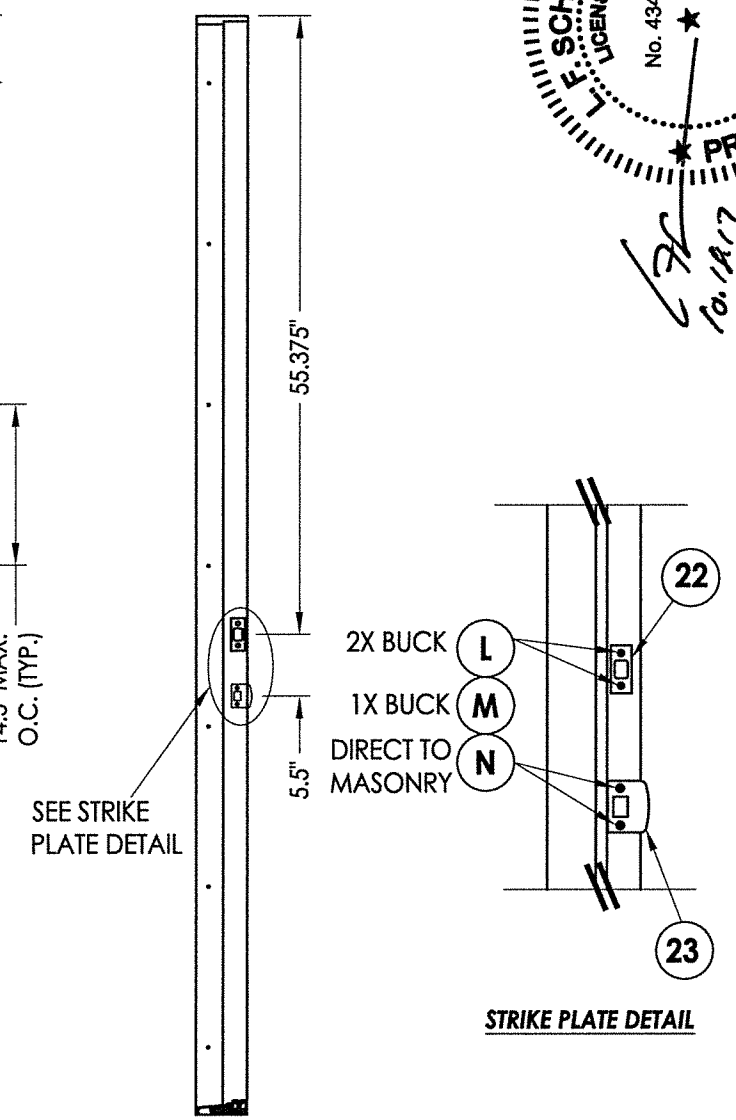
BUCK ANCHORING



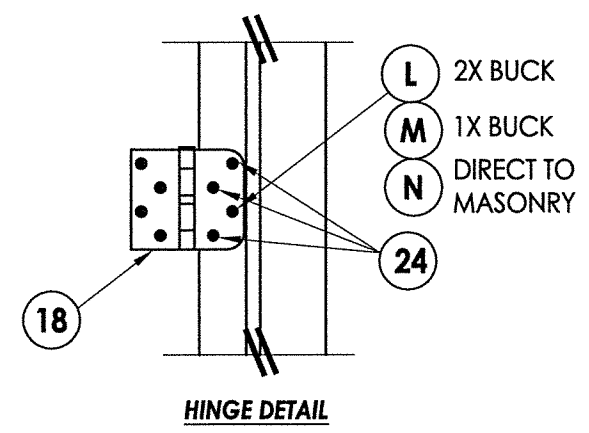
HINGE JAMB



FRAME ANCHORING
Masonry construction



STRIKE JAMB



HINGE DETAIL

STRIKE PLATE DETAIL

CONCRETE ANCHOR NOTES:

- Concrete anchor locations at the corners may be adjusted to maintain the min. edge distance to mortar joints.
- Concrete anchor locations noted as "MAX. ON CENTER" must be adjusted to maintain the min. edge distance to mortar joints, additional concrete anchors may be required to ensure the "MAX. ON CENTER" dimension are not exceeded.
- Concrete anchor table:

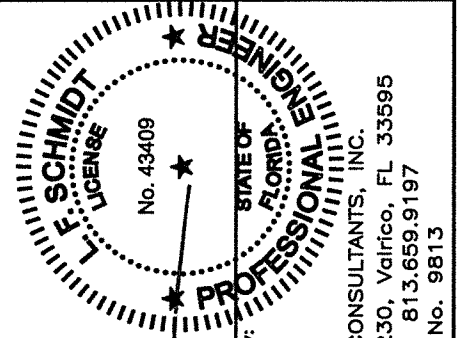
ANCHOR TYPE	ANCHOR SIZE	MIN. EMBEDMENT	MIN. CLEARANCE TO MASONRY EDGE	MIN. CLEARANCE TO ADJACENT ANCHOR
ITW TAPCON®	3/16"	1-1/4"	3"	1-1/2"
ITW TAPCON®	1/4"	1-1/4"	2"	4"
ELCO ULTRACON®	1/4"	1-1/4"	1"	4"

WOOD SCREW INSTALLATION NOTES:

- Maintain a minimum 5/8" edge distance, 1" end distance, & 1" o.c. spacing of wood screws to prevent the splitting of wood.

Note:

See separate side-hinged door Product Approval for door construction details not shown, including lock hardware, astragal, hinge and threshold connections.



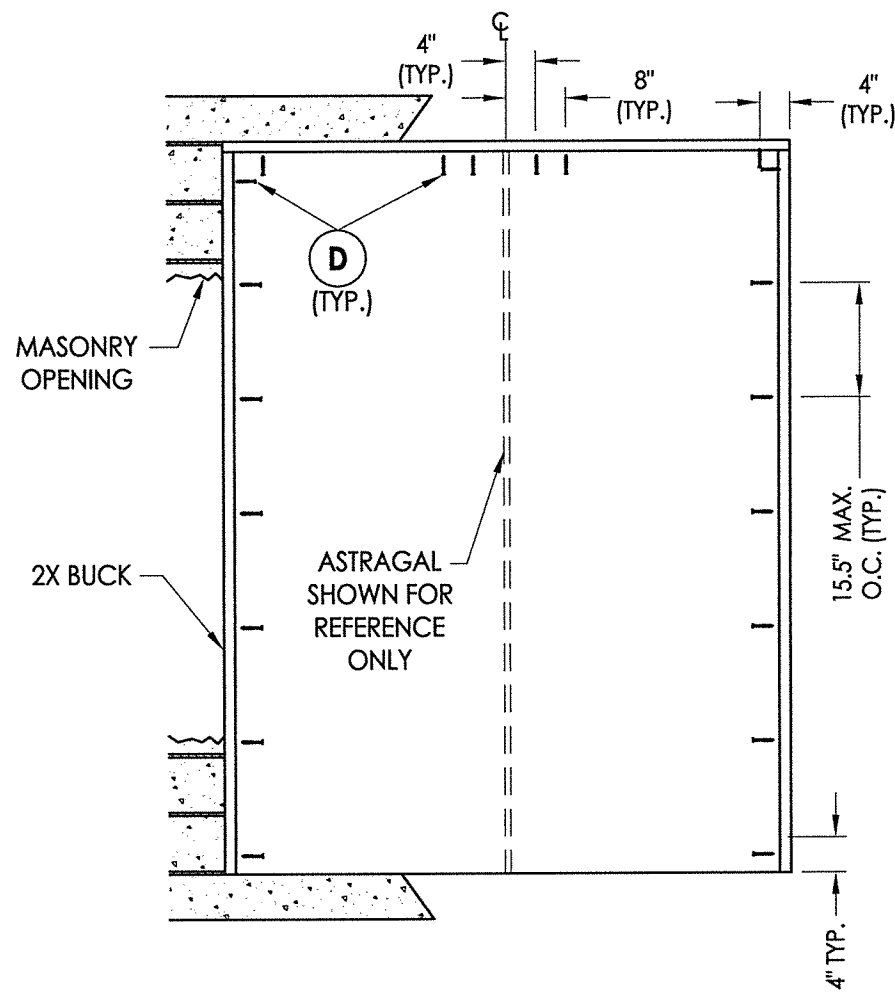
Documents Prepared By:
Lyndon F. Schmidt
P.E. No. 43409

R.W. BUILDING CONSULTANTS, INC.
P.O. Box 230, Valrico, FL 33595
Phone No.: 813.659.9197
FBPE C.A. No. 9813

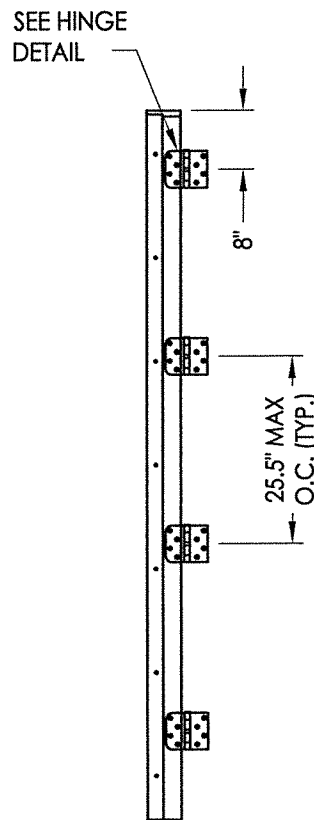
PRODUCT: HM SURE ROCK COMPONENTS
PART OR ASSEMBLY: BUCK AND FRAME ANCHORING

NO.	DATE	BY

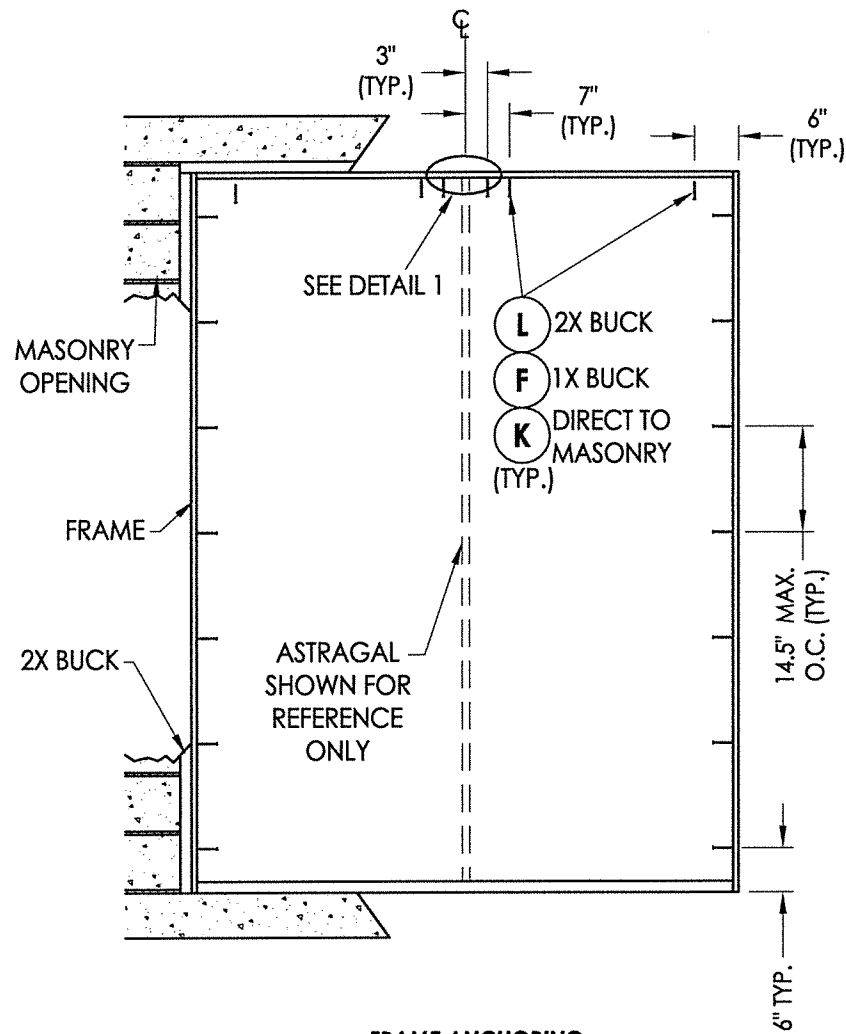
DATE: 10/18/17
SCALE: N.T.S.
DWG. BY: JK
CHK. BY: LFS
DRAWING NO.: FL-18385.2
SHEET 5 OF 7



BUCK ANCHORING

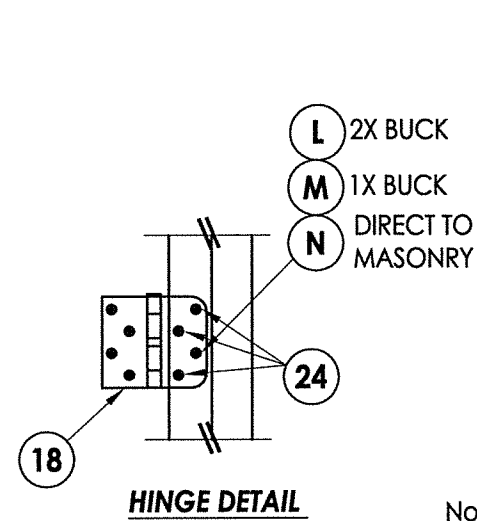
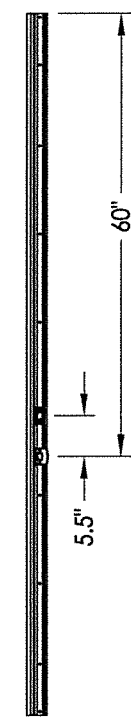


HINGE JAMB

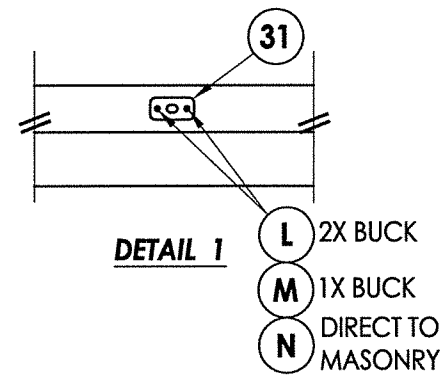


FRAME ANCHORING
Masonry construction

ASTRAGAL



HINGE DETAIL



DETAIL 1

Note:
See separate side-hinged door Product Approval for door construction details not shown, including lock hardware, astragal, hinge and threshold connections.

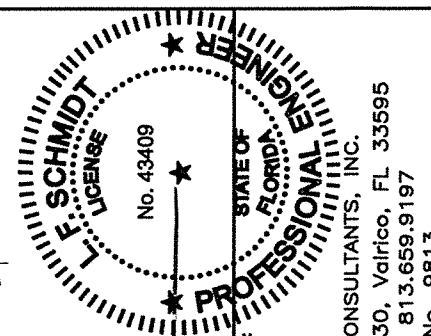
CONCRETE ANCHOR NOTES:

- Concrete anchor locations at the corners may be adjusted to maintain the min. edge distance to mortar joints.
- Concrete anchor locations noted as "MAX. ON CENTER" must be adjusted to maintain the min. edge distance to mortar joints, additional concrete anchors may be required to ensure the "MAX. ON CENTER" dimension are not exceeded.
- Concrete anchor table:

ANCHOR TYPE	ANCHOR SIZE	MIN. EMBEDMENT	MIN. CLEARANCE TO MASONRY EDGE	MIN. CLEARANCE TO ADJACENT ANCHOR
ITW TAPCON®	3/16"	1-1/4"	3"	1-1/2"
ITW TAPCON®	1/4"	1-1/4"	2"	4"
ELCO ULTRACON®	1/4"	1-1/4"	1"	4"

WOOD SCREW INSTALLATION NOTES:

- Maintain a minimum 5/8" edge distance, 1" end distance, & 1" o.c. spacing of wood screws to prevent the splitting of wood.



Documents Prepared By:
Lyndon F. Schmidt
P.E. No. 43409

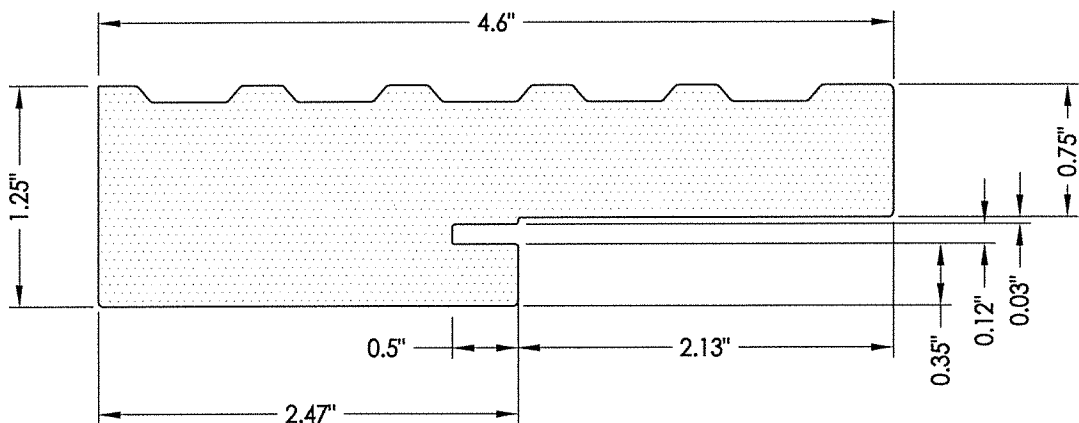
R.W. BUILDING CONSULTANTS, INC.
P.O. Box 230, Vairico, FL 33595
Phone No.: 813.659.9197
FBPE C.A. No. 9813

PRODUCT:	HM SURE ROCK COMPONENTS
PART OR ASSEMBLY:	BUCK AND FRAME ANCHORING

NO.	DATE	BY	REVISIONS

DATE:	10/18/17
SCALE:	N.T.S.
DWG. BY:	JK
CHK. BY:	LFS
DRAWING NO.:	FL-18385.2
SHEET	6 OF 7

BILL OF MATERIALS		
ITEM #	DESCRIPTION	MATERIAL
A	1X BUCK (SG >= 0.55)	WOOD
B	2X BUCK (SG >= 0.55)	WOOD
C	1/4" MAX. SHIM SPACE	-
D	1/4" X 2-3/4" PFH ELCO OR ITW CONCRETE SCREW	STEEL
E	MASONRY - 3,000 PSI MIN. CONCRETE CONFORMING TO ACI 301 OR HOLLOW BLOCK CONFORMING TO ASTM C90	CONCRETE
F	1/4" X 3-3/4" PFH ELCO OR ITW CONCRETE SCREW	STEEL
L	#10 X 2-1/2" PFH WOOD SCREW (1-1/8" MIN. EMBEDMENT)	STEEL
K	1/4" X 3-1/4" PFH ELCO OR ITW CONCRETE SCREW	STEEL
M	3/16" X 3-1/4" PFH ITW CONCRETE SCREW	STEEL
N	3/16" X 2-3/4" PFH TW CONCRETE SCREW	STEEL
1	HEAD & SIDE JAMB	COMPOSITE
7	WEATHERSTRIP QEBD650 Q-LON	FOAM
18	4" X 4" HINGE	STEEL
22	DEADBOLT STRIKE PLATE	STEEL
23	LATCH STRIKE PLATE	STEEL
24	#10 X 3/4" PFH SMS	STEEL
26	#8 X 2" PFH WOOD SCREW	STEEL
31	ASTRAGAL STRIKE PLATE	STEEL



1 HEAD & SIDE JAMB
Sure Jamb

E. SCHMIDT
LICENSE
No. 43409
STATE OF FLORIDA
PROFESSIONAL ENGINEER

Documents Prepared By:
Lyndon F. Schmidt
P.E. No. 43409

R.W.
BUILDING CONSULTANTS, INC.
P.O. Box 230, Vairico, FL 33595
Phone No.: 813.659.9197
FBPE C.A. No. 9813

PRODUCT:	HM SURE ROCK COMPONENTS	
PART OR ASSEMBLY:	BILL OF MATERIALS & COMPONENTS	
NO.	DATE	BY
REVISIONS		
DATE:	10/18/17	
SCALE:	N.T.S.	
DWG. BY:	JK	
CHK. BY:	LFS	
DRAWING NO.:	FL-18385.2	
SHEET	7 OF 7	